

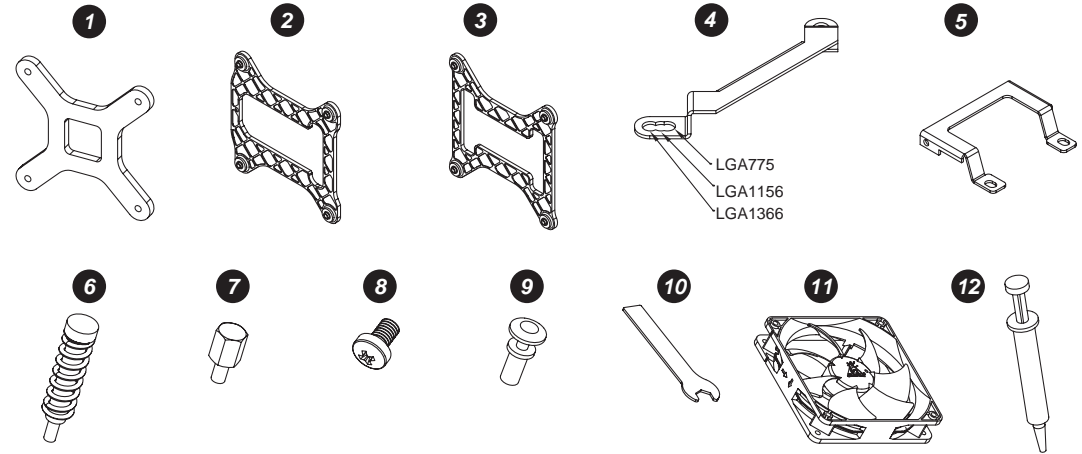


— Multiple Platforms with Extreme Cooling Solutions —

F101 User Manual

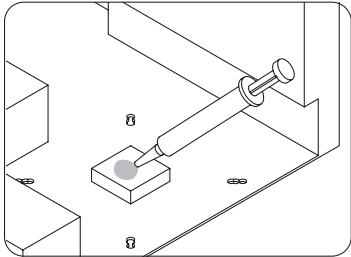
Accessories

- 1** Intel LGA775 backplate X 1
- 2** LGA1156 backplate X 1
- 3** LGA1366 backplate X 1
- 4** Clip of LGA 775 / 1156 / 1366 X 2
- 5** Clip of AM2 / AM3 X 2
- 6** Spring loaded screw for Intel Platform X 4
- 7** The only key screw of AM2 / AM3 X 4
- 8** Screws for both of AMD / INTEL X 4
- 9** 120mm Fan push pin X 8
- 10** Spanner X 1
- 11** 120mm Fan X 1
- 12** Thermal paste X 1

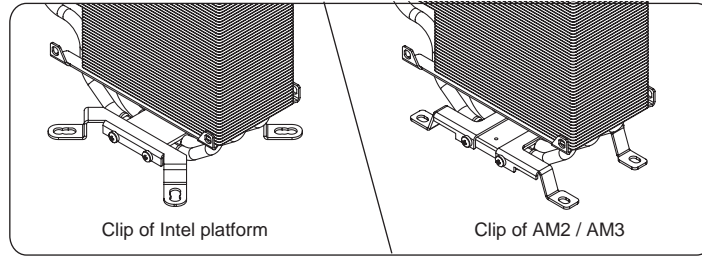


Installation Steps

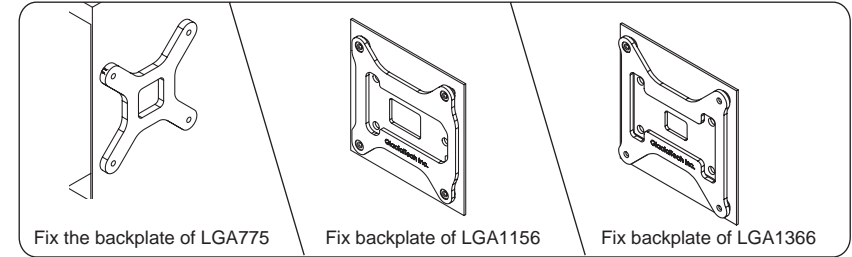
Step 1. Apply thermal paste on CPU uniformly



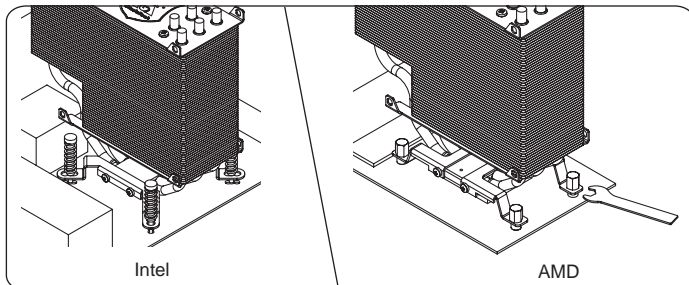
Step 2. Fix the clip



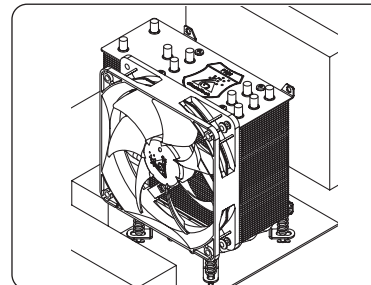
Step 3. Fix the backplate



Step 4. Place the heatsink on the CPU



Step 5. Install fan and connect the power supply fan



GlacialTech®
Inspiring Cooling Technology

• Picture for reference only. Information in the document is subject to change without notice.
For further information, please consult our website: www.GlacialTech.com
© 2009 GlacialTech Inc. All rights reserved.